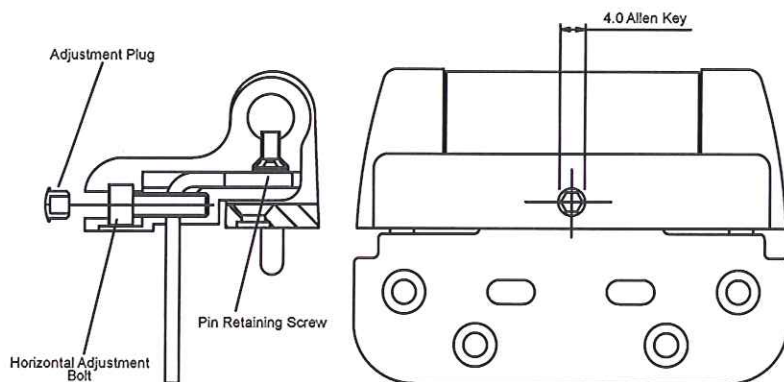


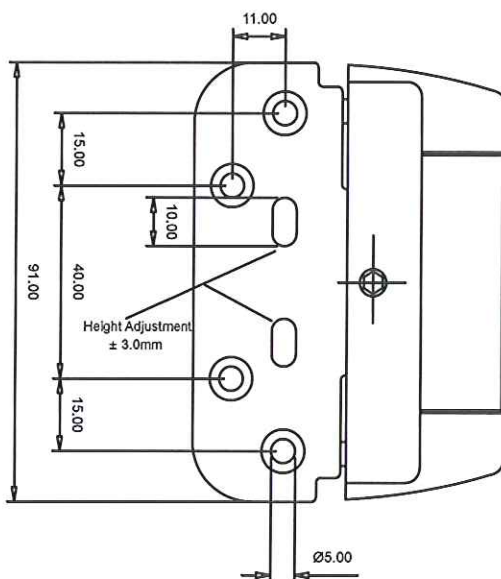
Compression Adjustment

The factory setting of the compression pin should be set to 1:00 o'clock as shown opposite. This is adjustable by using a 4mm Allen Key and turning either clockwise or anti-clockwise to achieve +/- 2mm of Compression Adjustment. The pin is located within a socket and will have to be removed slightly to enable turning.



Horizontal Adjustment

Horizontal Adjustment is achieved using a 4mm Allen Key on the Horizontal adjustment bolt, positioned as shown opposite. The Adjustment Plug may have to be removed. Please ensure that the Pin Retaining Screw, added for security, is tightened fully to allow the bracket to move forwards/backwards easily. Replace the adjustment plug after adjustment is complete.



Height Adjustment

The Steel fixing bracket comprises of 6 sets of holes. Two of these holes are 10mm elongated slots as shown opposite and allow the fitter to raise or lower the hinge by an adjustment tolerance of +/- 3mm before completing the fix using the additional 4 fixing holes.

Product specification

¥ Materials conform to BS7412 clause 4. Die cast alloy to BS EN 12844. Steel parts to BS970 Part 1.

¥ Salt spray tested to BS7479 to withstand 240 hours.

Tel: +44 (0)2476 585785 Fax: +44 (0)2476 585786